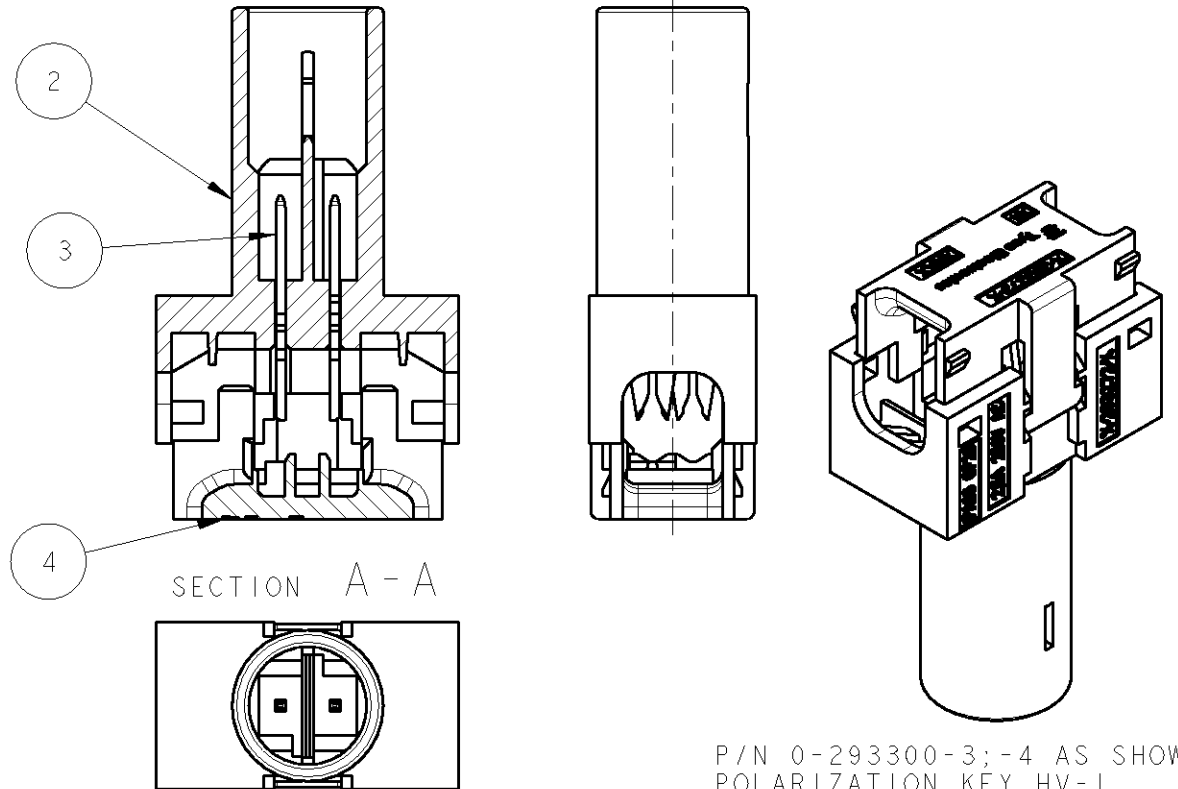
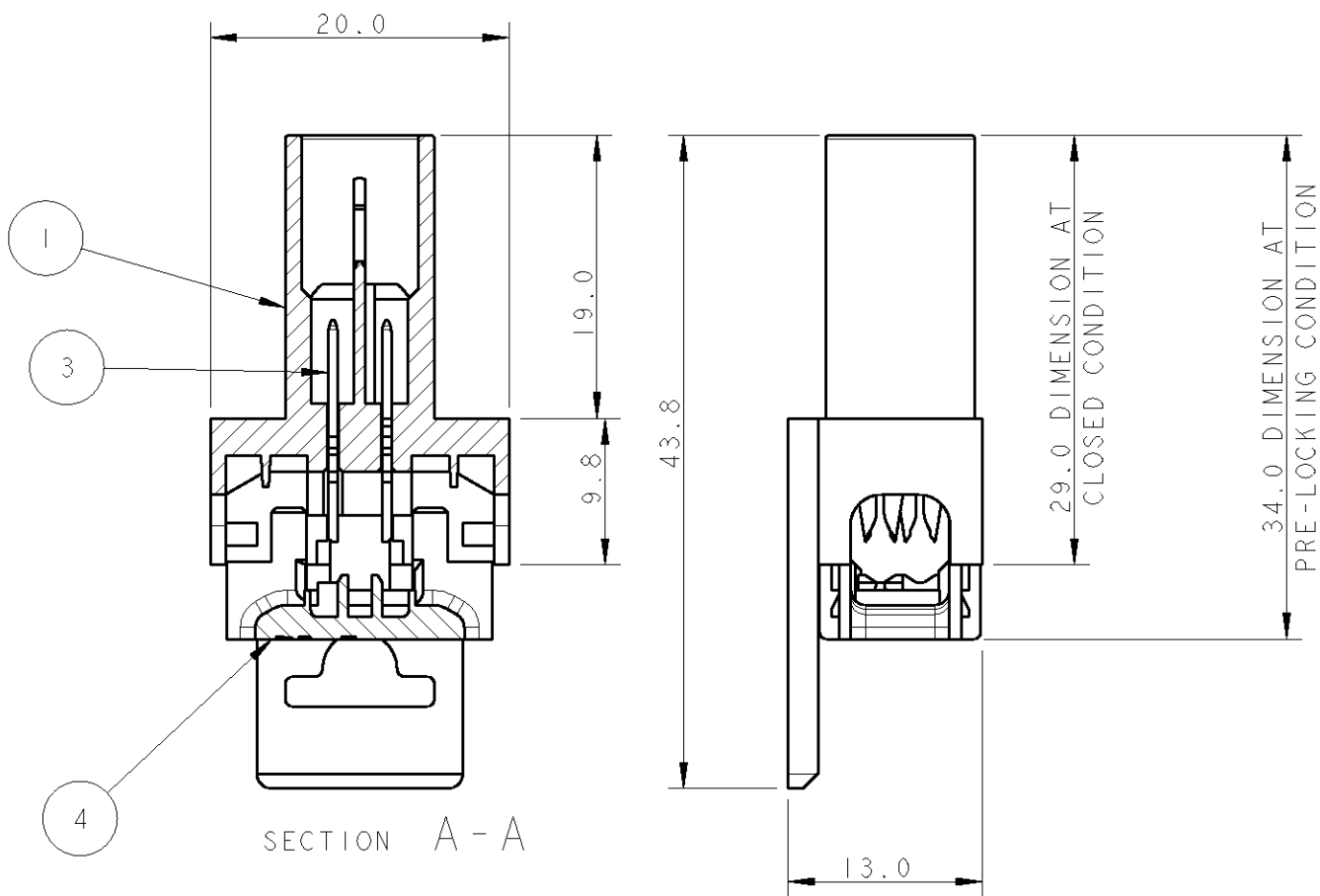
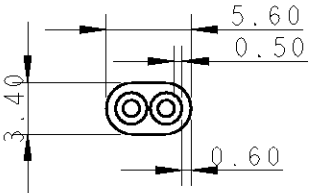


THIS DRAWING IS UNPUBLISHED. RELEASED FOR PUBLICATION 20
 © COPYRIGHT 20 BY TYCO ELECTRONICS CORPORATION. ALL RIGHTS RESERVED.

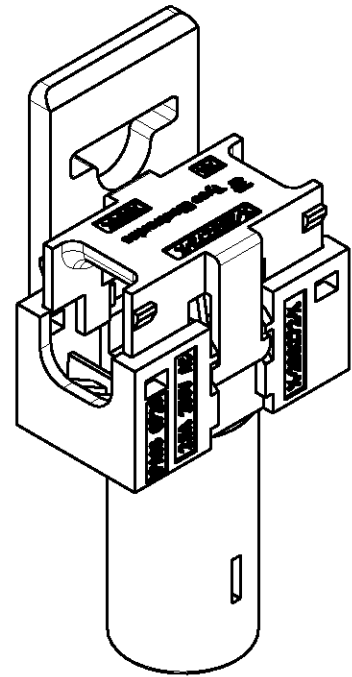
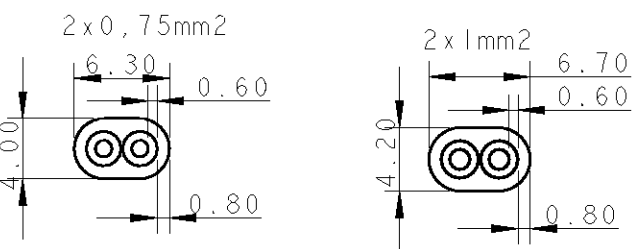
LOC	DIST	REVISIONS					
		P	LTR	DESCRIPTION	DATE	DWN	APVD
		A		FIRST ISSUE	23/04/2007	AV	GT
		B		REVISED	24/05/2007	AV	GT
		C		REVISED HOLE AND FLANGE THICKNESS	29/05/2007	AV	GT
		D		REVISED	31/05/2007	AV	GT
		E		ADDED WHITE COLOR VERSION	05/06/2007	AV	GT
		F		MODIFIED LOCKING LANCES ON COVER	27/06/2007	AV	GT
		G		MODIFIED LOCKING LANCES ON BODY	29/06/2007	AV	GT
		G1		NEW POLARIZATION KEYS ADDED	23/07/2007	AV	GT
		G2		CHANGED FLANGE LENGTH FROM 42.8 TO 43.8	24/01/2008	AV	GT
		J		CHANGED BASE RAW MATERIAL	04/08/2008	AV	GT
		K		ECR 09-004918	3/03/2009	AG	GT



CABLE CONFIGURATION
 CABLE H03VVH2-F
 2x0.75 mm²



CABLE H05VVH2-F



P/N 0-293300-1;-2 AS SHOWN
 POLARIZATION KEY HV-1

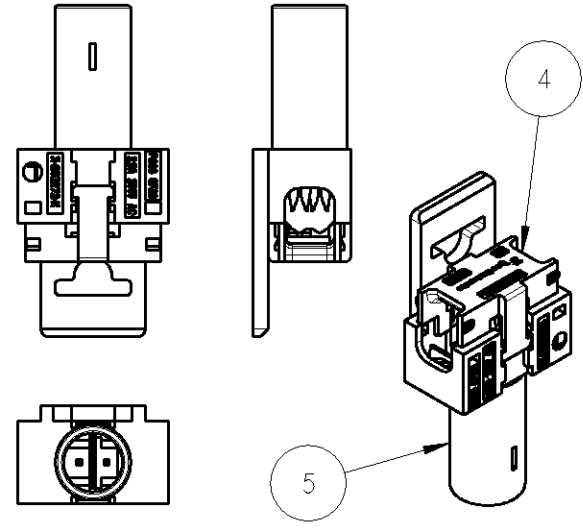
MISSING DIMENSION SEE P/N 0-...-1

P/N 0-293300-3;-4 AS SHOWN
 POLARIZATION KEY HV-1

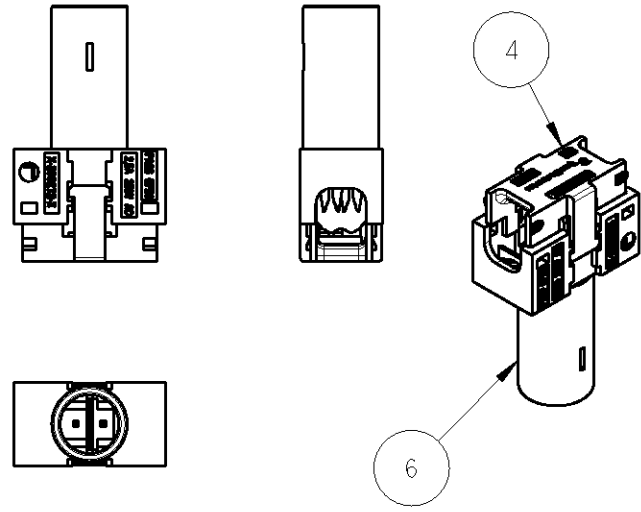
<small>THIS DRAWING IS A CONTROLLED DOCUMENT FOR TYCO ELECTRONICS CORPORATION IT IS SUBJECT TO CHANGE AND THE CONTROLLING ENGINEERING ORGANIZATION SHOULD BE CONTACTED FOR THE LATEST REVISION.</small>		DWN 23APR2007 A. Vecchia CHK 23APR2007 G. Turco APVD 23APR2007 G. Turco		Tyco Electronics AMP Italia S.p.A. 10093 Collegno TO	
DIMENSIONS: mm		TOLERANCES UNLESS OTHERWISE SPECIFIED: 0 PLC ± 1 PLC ±0.3 2 PLC ±0.05 3 PLC ± 4 PLC ± ANGLES ±		NAME BUS BAR 2 POSITION GENERAL	
MATERIAL -		FINISH -		PRODUCT SPEC - APPLICATION SPEC - WEIGHT -	
		CUSTOMER DRAWING		SIZE A3 CAGE CODE 300779 DRAWING NO C-293300 RESTRICTED TO	
		SCALE 2:1		SHEET 1 OF 2 REV K	

LOC		DIST		REVISIONS			
P	LTR	DESCRIPTION	DATE	DWN	APVD		
	-	SEE SHEET 1	-	-	-		

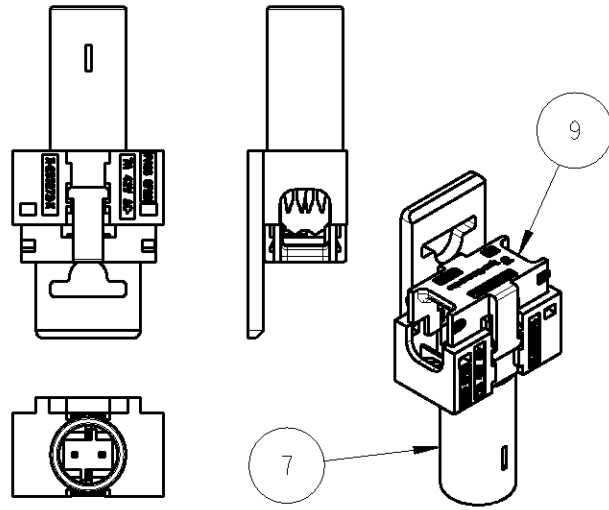
P/N 0-293300-5;-6 AS SHOWN
POLARIZATION KEY HV-4



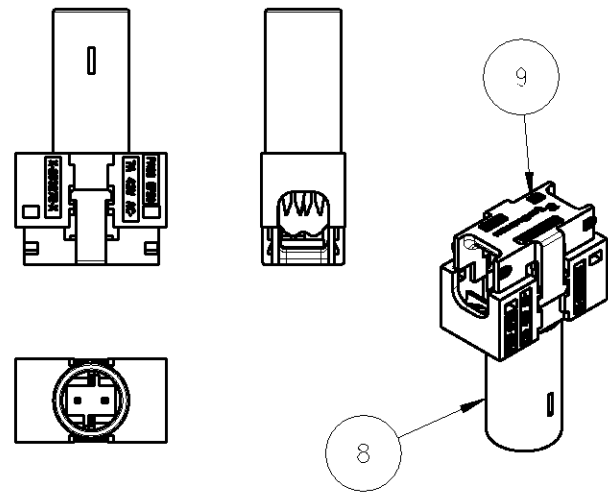
P/N 0-293300-7;-8 AS SHOWN
POLARIZATION KEY HV-4



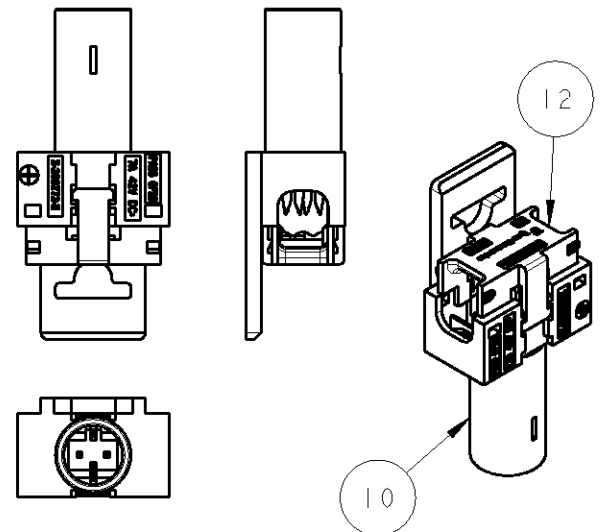
P/N 0-293300-9 AS SHOWN
POLARIZATION KEY LV-1



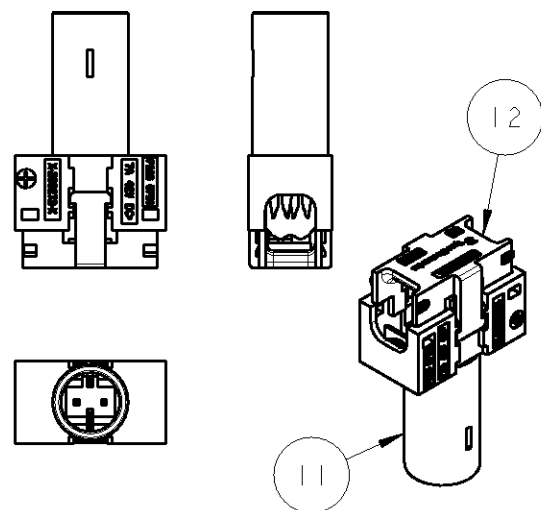
P/N 1-293300-0 AS SHOWN
POLARIZATION KEY LV-1



P/N 1-293300-1 AS SHOWN
POLARIZATION KEY LV-2



P/N 1-293300-2 AS SHOWN
POLARIZATION KEY LV-2



THE PRESENTED PRODUCT / DESIGN WILL BE
 RELEASED FOR THE MANUFACTURING OF
 THE NECESSARY PRODUCTION TOOLS HEREBY.
 FURTHER CHANGES HAS TO BE PAYED BY CUSTOMER
 DATE, SIGN OF THE CUSTOMER

												COVER YELLOW	M	12
												BODY HOUSING W/O FLANGE YELLOW LV-2	R	11
												BODY HOUSING YELLOW LV-2	R	10
												COVER LIGHT GREY	M	9
												BODY HOUSING W/O FLANGE LIGHT GREY LV-1	R	8
												BODY HOUSING LIGHT GREY LV-1	R	7
												BODY HOUSING W/O FLANGE BLACK HV-4	R	6
												BODY HOUSING W/O FLANGE WHITE HV-4	R	6
												BODY HOUSING BLACK HV-4	R	5
												BODY HOUSING WHITE HV-4	R	5
												COVER BLACK	M	4
												COVER WHITE	M	4
2	2	2	2	2	2	2	2	2	2	2	2	CONTACT	C2	3
												BODY HOUSING W/O FLANGE BLACK HV-1	R	2
												BODY HOUSING W/O FLANGE WHITE HV-1	R	2
												BODY HOUSING BLACK HV-1	R	1
												BODY HOUSING WHITE HV-1	R	1
1-21-11-0	-9	-8	-7	-6	-5	-4	-3	-2	-1			DESCRIPTION	REV	ITEM
K	K	K	K	K	K	K	K	K	K	K	K	REVISIONE DELL'ASSEMBLATO (REV. OF EACH ASSY NO)		
LV-2	LV-2	LV-1	LV-1	HV-4	HV-4	HV-4	HV-4	HV-1	HV-1	HV-1	HV-1	KEYING	ELENCO DEI COMPONENTI (PART LIST)	

THIS DRAWING IS A CONTROLLED DOCUMENT FOR TYCO ELECTRONICS CORPORATION
 IT IS SUBJECT TO CHANGE AND THE CONTROLLING ENGINEERING ORGANIZATION
 SHOULD BE CONTACTED FOR THE LATEST REVISION.

DIMENSIONS: mm

TOLERANCES UNLESS OTHERWISE SPECIFIED:
 0 PLC ±
 1 PLC ±0.3
 2 PLC ±0.05
 3 PLC ±
 4 PLC ±
 ANGLES ±

MATERIAL - FINISH -

DWN 23APR2007 A. Vecchia
 CHK 23APR2007 G. Turco
 APVD 23APR2007 G. Turco

PRODUCT SPEC -
 APPLICATION SPEC -
 WEIGHT -

Tyco Electronics Tyco Electronics AMP Italia S.p.A.
 10093 Collegno TO

NAME BUS BAR 2 POSITION GENERAL

SIZE A300779 CAGE CODE C-293300 DRAWING NO RESTRICTED TO

CUSTOMER DRAWING SCALE 2:1 SHEET 2 OF 2 REV K